

# Caslan Roman Shade

## Standard Installation Instructions

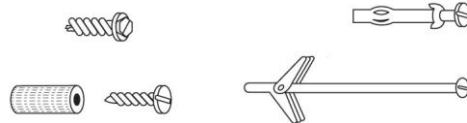
### Please follow these Installation Instructions

You will need a pencil, tape measure, drill, screwdriver, pliers, and appropriate fasteners.

### Step 1: Choose the Correct Fastener



1 1/2" #8 Hex Head  
Wood Screws (Included)



Alternative fasteners should be used for aluminum or  
concrete installations  
(Not Included with Blinds)

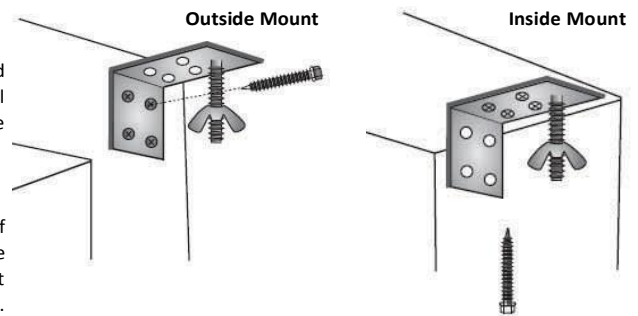
### Step 2: Bracket Installation

#### Outside or Wall Mount Shades:

Position the brackets 1" to 2" from the ends of the wood headrail. If provided, position middle brackets to align with the pre-drilled holes in the headrail. Hold the shade in place and mark the desired bracket locations with a pencil. Use a level to ensure that the brackets are straight. Pre-drill the mounting holes into the mounting surface. Then, screw the brackets into the mounting surface.

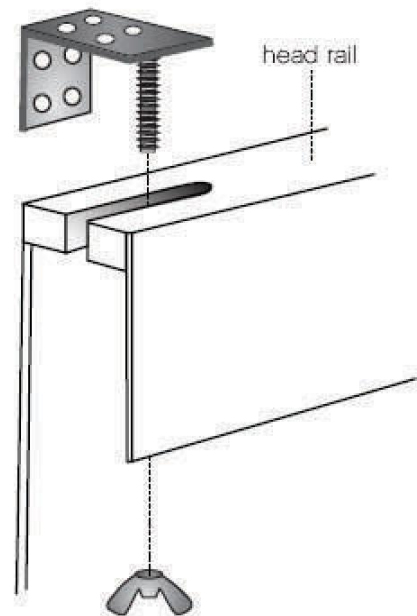
#### Inside or Ceiling Mount Shades:

Position the brackets approximately 1" from the ends of wood headrail. If provided, position the middle brackets to align with the pre-drilled holes in the headrail. Measure 1" in from each side of the window frame and mark bracket locations with a pencil. Pre-drill the mounting holes into the mounting surface. Then, screw the brackets in place into the mounting surface.



### Step 3: Shade Installation

Remove the wing nuts from the bracket screw. Hold the shade so that the screw posts on the brackets fit through the slots in the headrail and re-attach wing nuts. Make sure the wing nuts are tight to hold the headrail firmly and that the headrail is level.



### Step 4: Safety Clip Installation



Find a convenient place about 1" out from the side of the shade where the pull cords are located and about one quarter of the way up from the bottom of the shade. Hold the cord safety clip parallel with the window frame. With a pencil, make a mark through the holes. Screw the cord safety clip to the wall.